

FM9™ Aluminum Unilet® Conduit Outlet Bodies, Covers and Gaskets

For use with Rigid Steel, Rigid Aluminum and IMC.

Applications

- Serve as pulling fittings.
- Make bends in conduit system.
- Provide openings for splicing.
- Connect and change direction of conduit runs.
- Allow connections for branch runs.
- Permit access to conductors for maintenance.

Features: FM9 Unilet® conduit outlet bodies

- Roomy interiors: deep body cavity provides increased volume allowing higher wiring capacity.
- Smooth, rounded integral bushings in hubs protect conductor insulation.
- Accurately tapped, tapered threads for tight, rigid joints and excellent ground continuity.
- Completely interchangeable with Crouse-Hinds Mark9™ bodies, gaskets and covers. Equivalent FM9 and Mark 9™ units have identical applications and installation dimensions.
- Seven body styles available in 1/2" to 4" sizes, TB's in 1/2" to 2" and X's in 1/2" to 1".

Features:

- Aluminum Unilets: produced from a high-strength copper-free (4/10 of 1% max.) alloy, for light weight and high corrosion resistance.
- FM9™ Formtite™ 9 covers with integral gasket are approved for use in wet locations.
- Covers are domed for extra wiring space.
- Smooth hub bushings and cover openings protect conductor insulation. Smooth hub openings allow easy conduit joining.
- Stainless steel pan-head cover screws secure cover to body and provide superior screwdriver seating and torque. Cover screws are captive to prevent loss in sizes 1/2" to 2".
- Hub size, body style, and compliance data molded into body in large, easy-to-read form. Also maximum wire number/size and cubic capacity.



LL Body with Formtite™ 9 Integral Gasket Cover

Captive Stainless Steel Pan-Head Cover Screws



Standard Materials

- Conduit bodies: copper-free aluminum.
- Covers: stamped copper-free aluminum
- Cover screws: stainless steel.
- Gaskets: Neoprene

Standard Finishes

- Conduit bodies, covers and screws: natural

Compliances








- UL Standard 514A.

A-22

FM9™ Aluminum Unilet® Conduit Bodies, Covers and Gaskets

For use with Rigid Steel, Rigid Aluminum and IMC Conduit.

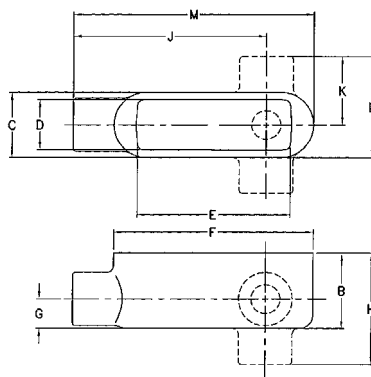
Appleton FM9 Conduit Bodies NOTE: Refer to page A-23 for Wiring Capacity Tables

	C 	LB 	LL 	LR 
Hub Size (in.)				
1/2	C19	LB19	LL19	LR19
3/4	C29	LB29	LL29	LR29
1	C39	LB39	LL39	LR39
1-1/4	C49	LB49	LL49	LR49
1-1/2	C59	LB59	LL59	LR59
2	C69	LB69	LL69	LR69
2-1/2	C789	LB789	LL789	LR789
3	C889	LB889	LL889	LR889
3-1/2	C989	LB989	LL989	LR989
4	C1089	LB1089	LL1089	LR1089
	T 	TB 	X 	
Hub Size (in.)				
1/2	T19	TB19	X19	
3/4	T29	TB29	X29	
1	T39	TB39	X39	
1-1/4	T49	TB49	—	
1-1/2	T59	TB59	—	
2	T69	TB69	—	
2-1/2	T789	—	—	
3	T889	—	—	
3-1/2	T989	—	—	
4	T1089	—	—	

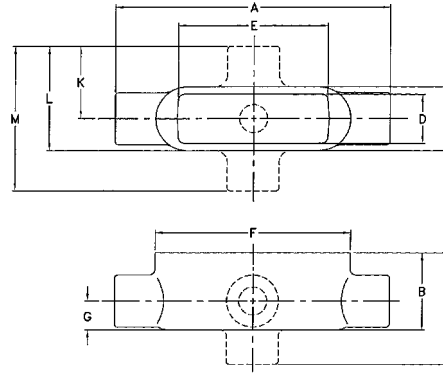
Appleton FM9 Blank Covers and Gaskets and Formtite™ 9 Stamped Aluminum Cover with Integral Gasket (Covers furnished with Stainless Steel Screws)

	Stamped Aluminum Cover 	Solid Gasket Neoprene 	Formtite™ 9 
FM9 Body Size (in.)			
1/2	190	GASK1941	190G
3/4	290	GASK1942	290G
1	390	GASK1943	390G
1-1/4	490	GASK1944	490G
1-1/2	590	GASK1945	590G
2	690	GASK1946	690G
2-1/2	889	GASK808N	889G
3	889	GASK808N	889G
3-1/2	989	GASK809N	989G
4	989	GASK809N	989G

FM9™ Conduit Body Dimensions



Type LB, LL & LR



Type C, T, TB & X

Dimensions in Inches

	Hub Size	A	B	C	D	E	F	G	H	J	K	L	M	N
C, LB, T, LL, & LR	1/2	4.97	1.56	1.38	1.06	3.28	4.22	0.63	2.31	3.59	1.44	2.13	—	4.59
	3/4	5.69	1.81	1.56	1.22	3.94	4.81	0.75	2.59	4.09	1.59	2.38	—	2.52
	1	6.59	2.06	1.75	1.41	4.56	5.59	0.88	3.03	4.84	1.84	2.72	—	6.09
	1-1/4	7.63	2.69	2.19	1.88	5.25	6.56	1.09	3.75	5.38	2.16	3.25	—	7.09
	1-1/2	8.25	3.03	2.53	2.19	5.94	7.25	1.25	4.03	6.00	2.25	3.53	—	7.81
	2	10.69	3.75	3.19	2.81	8.06	9.56	1.50	4.88	7.88	2.66	4.25	—	10.13
	2-1/2	15.63	4.94	5.00	4.25	10.88	12.25	2.50	6.63	11.44	4.19	6.69	—	13.94
	3	15.63	5.31	5.00	4.25	10.88	12.25	2.50	7.00	11.44	4.19	6.69	—	13.94
	3-1/2	18.75	6.19	6.25	5.44	13.44	15.00	3.13	8.06	13.75	5.00	8.13	—	16.88
4	18.75	6.44	6.25	5.44	13.44	15.00	3.13	8.31	13.75	5.00	8.13	—	16.88	
TB & X	1/2	5.94	1.94	1.38	1.03	3.28	4.22	0.63	2.75	—	1.56	2.25	3.13	5.06
	3/4	6.56	2.22	1.56	1.22	3.94	4.81	0.75	3.03	—	1.66	2.44	3.31	5.69
	1	7.50	2.44	1.75	1.38	4.56	5.59	0.88	3.38	—	1.84	2.72	3.69	6.53
	1-1/4	8.50	2.69	2.19	1.75	5.25	6.56	1.09	3.75	—	—	—	—	7.53
	1-1/2	8.25	3.03	2.53	2.19	5.94	7.25	1.25	4.03	—	—	—	—	7.81
	2	10.69	3.75	3.19	2.75	8.06	9.56	1.50	4.88	—	—	—	—	10.13

Wiring Capacity in Cubic Inches

Hub Size	C	LB	LL / LR	T	TB	X	Cover
1/2	4.8	5.0	5.3	5.0	6.8	7.3	0.5
3/4	7.8	8.3	8.5	8.3	11.0	11.3	0.8
1	12.3	12.8	13.3	12.5	16.5	17.0	1.0
1-1/4	25.3	26.5	27.3	26.3	25.8		1.5
1-1/2	37.5	39.0	39.8	38.5	36.5		2.5
2	77.5	81.3	82.8	79.5	77.0		6.5
2-1/2	230.0	230.0	230.0	230.0			12.3
3	250.0	250.0	250.0	250.0			12.3
3-1/2	450.0	450.0	450.0	450.0			24.0
4	470.0	470.0	470.0	470.0			24.0

Fraction/Decimal Equivalents (Inches)

Fraction	Decimal	Fraction	Decimal
1/16	0.06	9/16	0.56
1/8	0.13	5/8	0.63
3/16	0.19	11/16	0.69
1/4	0.25	3/4	0.75
5/16	0.31	13/16	0.81
3/8	0.38	7/8	0.88
7/16	0.44	15/16	0.94
1/2	0.50	1	1.00